

**FISHER & PAYKEL**

**REFRIGERATOR FREEZER**



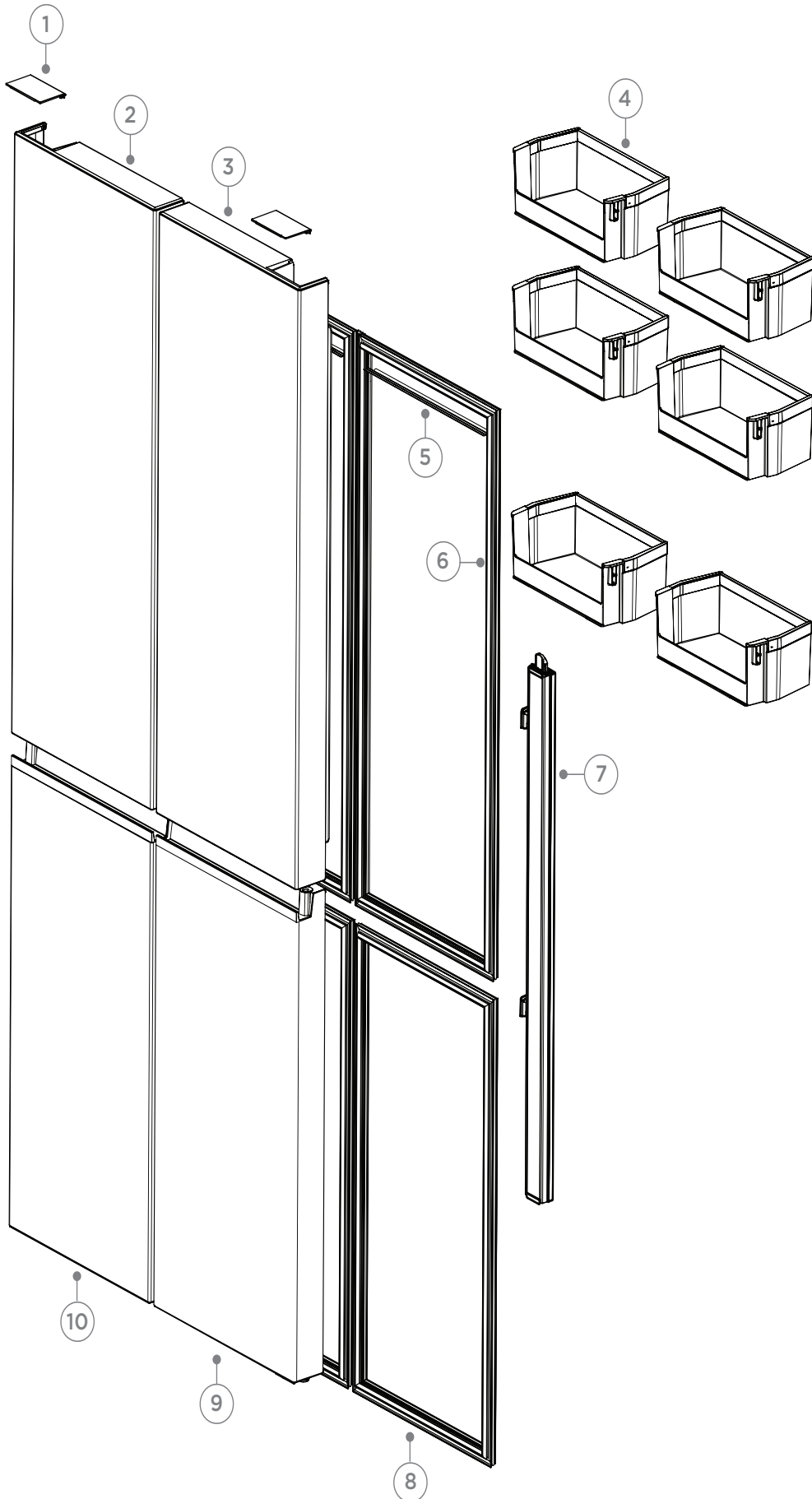
**RF500QNX1 FP AA**

**PRODUCT CODE: 26621-A**

**PARTS MANUAL**

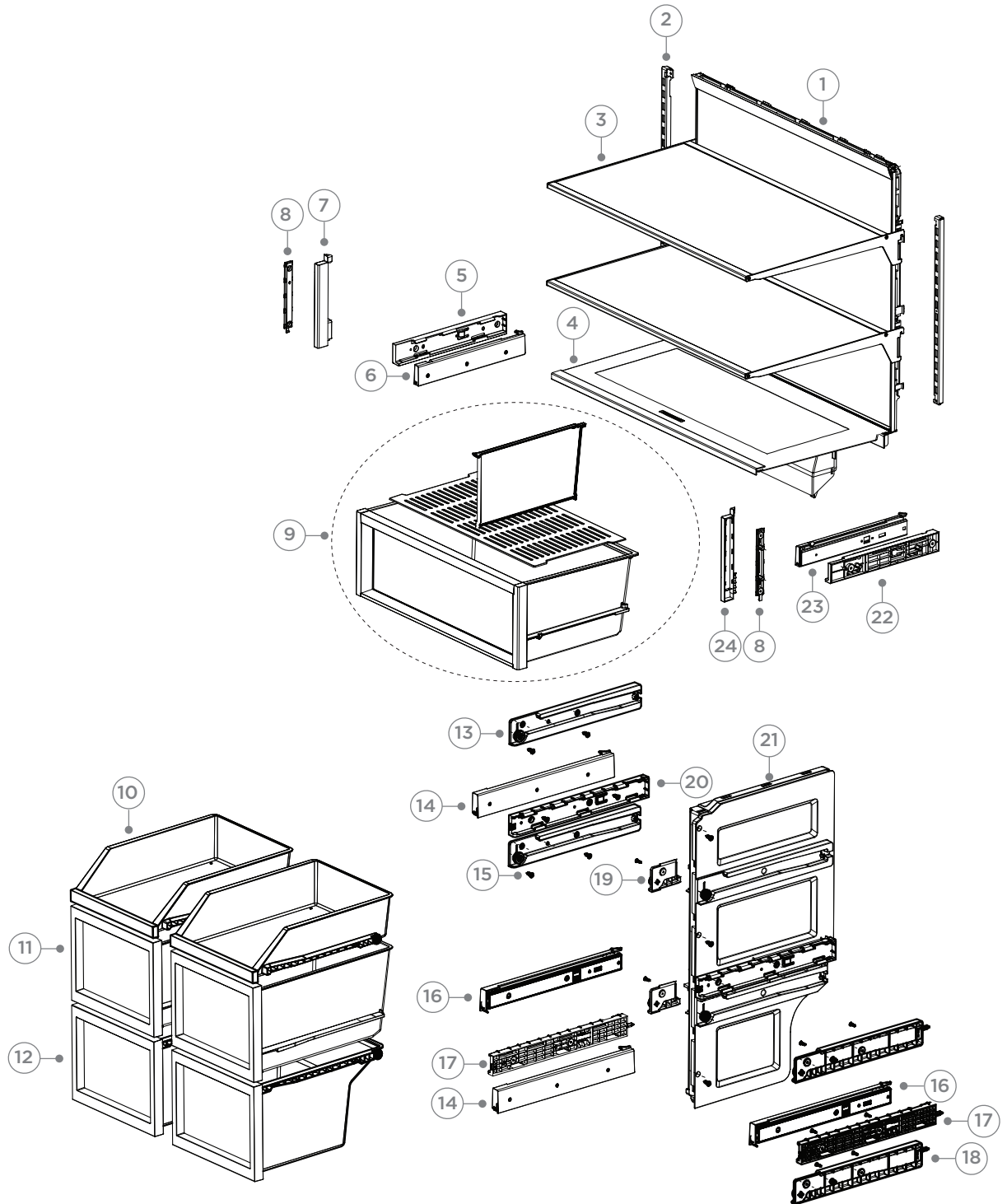
**AA**

# DOOR COMPONENTS

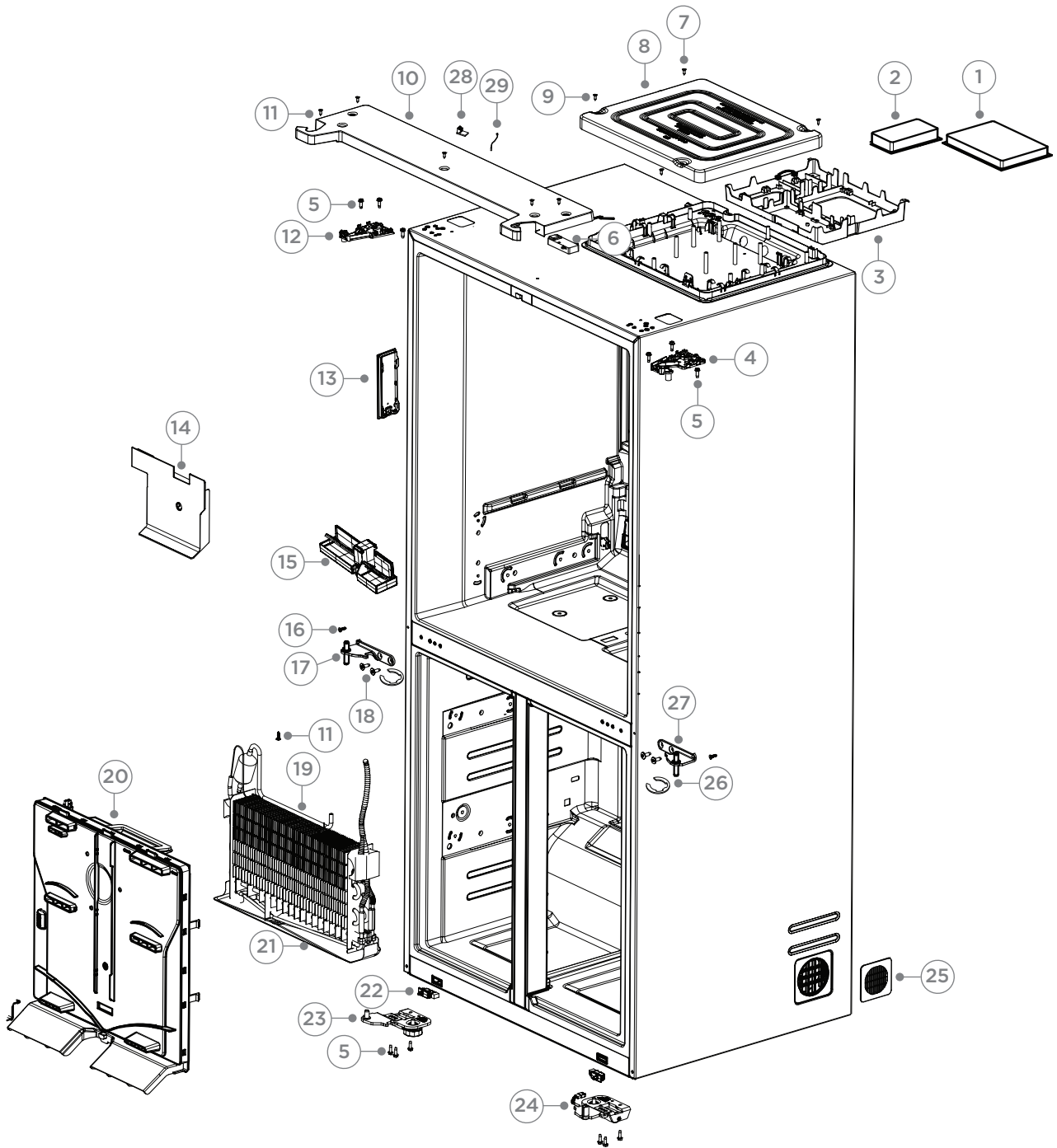


DWG 006389

# SHELVES AND BINS



# INTERNAL/EXTERNAL CABINET COMPONENTS



# BACK CABINET COMPONENTS

